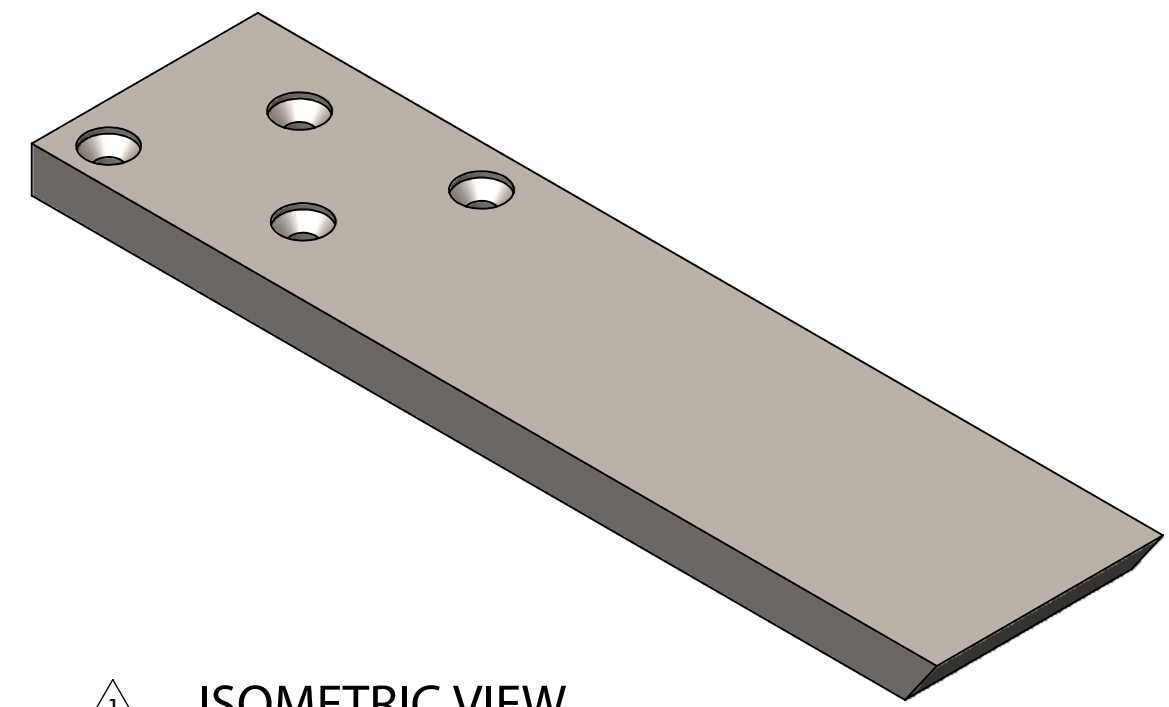


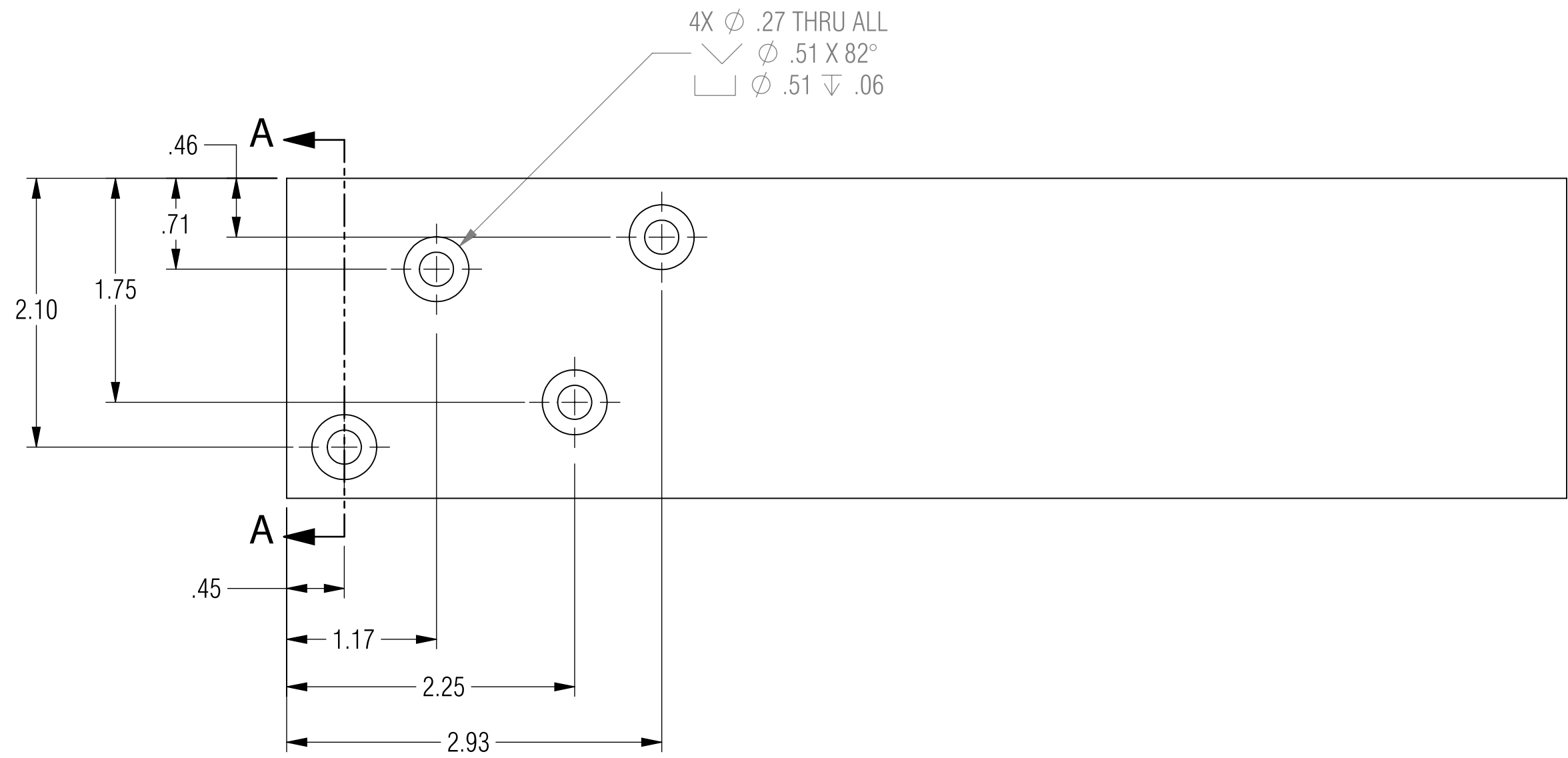
NOTES: UNLESS OTHERWISE SPECIFIED

- 1. MATERIAL: ASTM A36, HOT ROLLED STEEL, OR CENTERLINE STEEL, LLC APPROVED EQUIVALENT.
- 2. ALL DIMENSIONS ARE TO THEORETICAL SHARP.
- 3. REMOVE BURRS AND BREAK ALL SHARP EDGES .03 MAX.
- 4. ALL DIMENSIONS ARE IN INCHES UNLESS STATED OTHERWISE.
- 5. PARTS SHALL BE FREE OF GREASE AND CUTTING FLUID.

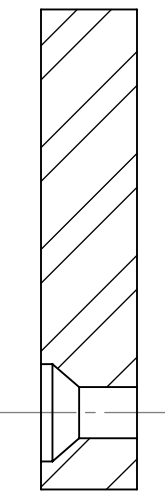
REVISION STATUS - ALL SHEETS ARE THE SAME REVISION				
ZONE	REV.	DESCRIPTION	DATE	APPROVED
	X1	DEVELOPMENT	06/30/2013	KRH
	X2	ADDED ASTM A36 MATERIAL CALLOUT ADDED ±.06 TOLERANCE TO "A" INCH LENGTH MODIFIED COUNTERSINK THRU HOLE (NOW) .27 (WAS) .26 ADDED CONFIGURATION TABLE	07/20/2013	KRH



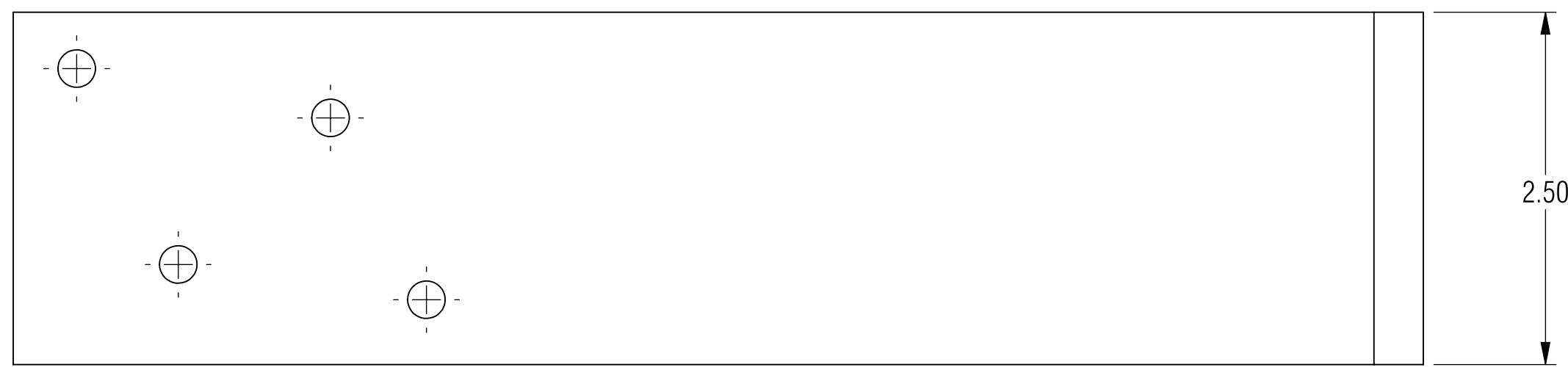
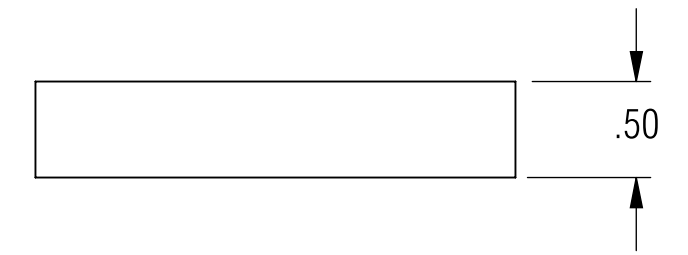
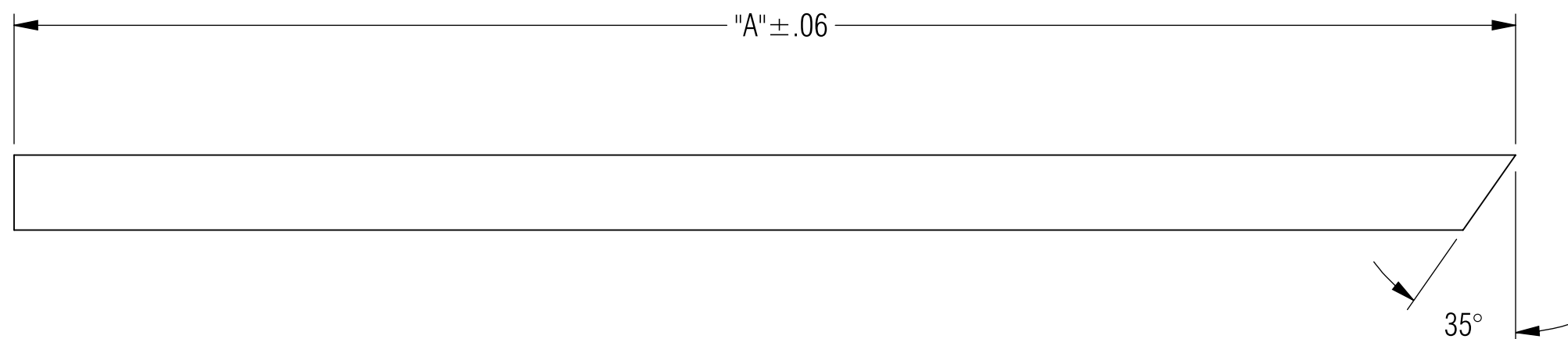
ISOMETRIC VIEW
FOR REFERENCE ONLY



4X Ø .27 THRU ALL
 V ϕ .51 X 82°
 L ϕ .51 ∇ .06



SECTION A-A



CONFIGURATION TABLE	
	"A"
CSP-0003-7	7.00
CSP-0003-8	8.00
CSP-0003-9	9.00
CSP-0003-10	10.00
CSP-0003-11	11.00
CSP-0003-12	12.00
CSP-0003-13	13.00
CSP-0003-14	14.00
CSP-0003-15	15.00
CSP-0003-16	16.00
CSP-0003-17	17.00
CSP-0003-18	18.00
CSP-0003-19	19.00
CSP-0003-20	20.00
CSP-0003-21	21.00

RELEASED

UNLESS OTHERWISE SPECIFIED: DIMENSIONS ARE IN INCHES		ENGINEER		<h2 style="text-align: center;">In-Wall Brackets</h2> <p style="text-align: center;">DRAWING TITLE</p> <p style="text-align: center;">STANDARD, GRANITE, BRACKET WITH COUNTERSINK, VARIABLE LENGTH X 2.5 X .50</p>					
TOLERANCES ARE:		ENGINEER							
ANGLES		CHECKED	CAS 07/20/2013						
.XX ± .01	XX° ± 1°	DRAWN	KRH 06/30/2013						
.XXX ± .005		MANAGER APPROVAL							
INTERPRET DRAWINGS IN ACCORDANCE WITH:		THE INFORMATION ON THIS DRAWING IS PROPRIETARY AND SHALL NOT BE DISCLOSED, USED, OR DUPLICATED FOR PROCUREMENT OR MANUFACTURING PURPOSES WITHOUT THE EXPRESS WRITTEN CONSENT OF IN-WALL BRACKETS							
ASME Y14.100 ENGINEERING DRAWING PRACTICES	ASME Y14.38 ABBREVIATIONS	THIRD ANGLE PROJECTION							
ASME Y14.5 DIMENSIONING AND TOLERANCING	ASME Y14.6 SCREW THREAD REPRESENTATION								
ASME Y14.8 CASTINGS, FORGINGS & MOLDED PARTS	AWS A2.4 WELDING SYMBOLS								
IEEE STD 315 SYMBOLS FOR ELECTRICAL AND ELECTRONIC DIAGRAMS		SIZE	D	CAGE CODE		DRAWING NO.	CSP-0003	REV	X2
USED ON		SCALE	1:1			SHEET 1 OF 1			